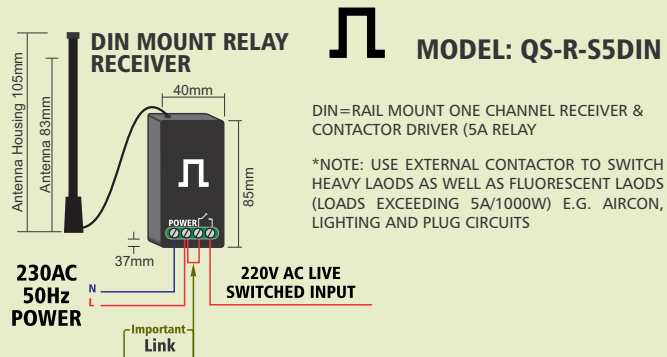
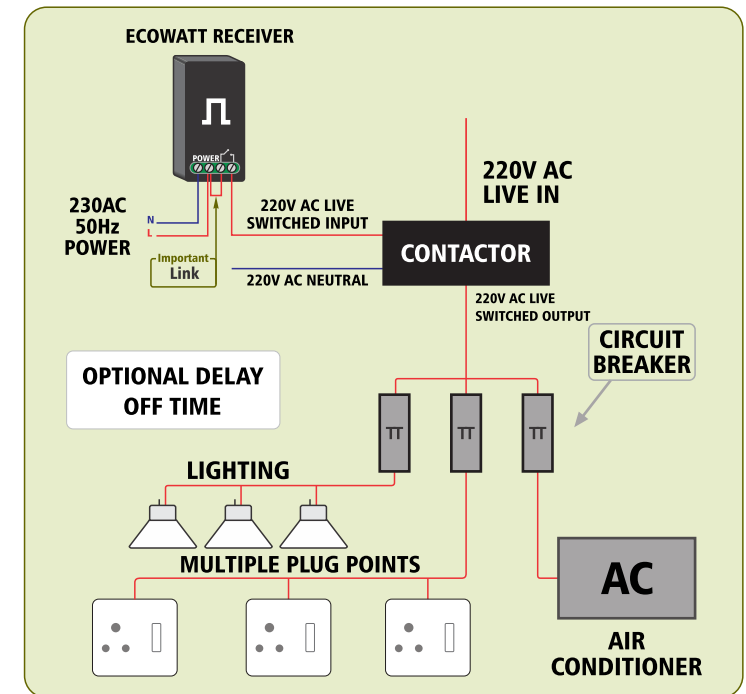
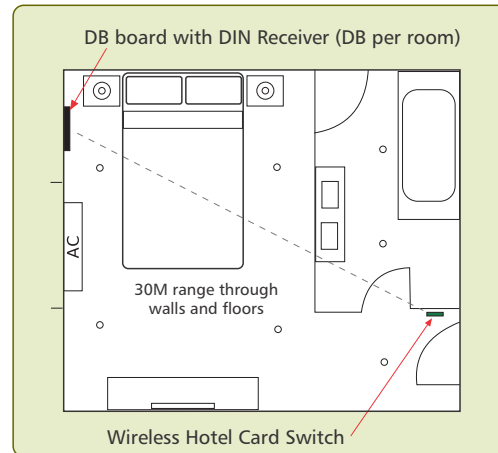


DIN MOUNT RELAY RECEIVER



TO LINK CARD SWITCH TO RECEIVER

1. Hold the button down on the side of the receiver till the red LED flashes
2. Insert the card into the switch, the system will then be linked. to unlink repeat step 1 and 2



HOTEL CARD SWITCH INSTALLATION NOTES

1

CONTACTOR
CIRCUIT BREAKER

- Mount DIN rail receiver in DB board.
- For best signal strength antenna must be mounted out of DB board housing
- Antenna must never be cut

2

INSERT KEY CARD TO ACTIVATE LIGHTS
CONSERVE ENERGY SAVE THE ENVIRONMENT

Mount Wireless hotel card switch in most convenient location

3

Hold the receiver LINK button until the LED starts flashing

POWER

4

Insert the card into the switch within 25 sec to link

INSERT KEY CARD TO ACTIVATE LIGHTS
CONSERVE ENERGY SAVE THE ENVIRONMENT

